

FT FLUIDOTEHNIC

HYDRAULIC DEVICES AND SYSTEMS

CATALOG OF DEVICES





- FLUIDOTEHNIC's production program is based on its own development. Thanks to that, all the products are the result of the engineering staff work, as well as the quality and skilled workers in manufacturing and installation. Each serial product during the conquest passes through the phase of prototype development, functional tests and check in real operating conditions. Following step is removal of all possible defects and then, based on that, test series is produced. This is how we achieve high quality of manufactured devices. In case of the individual production, after the functional testing, we deliver the product to the customer.
- Since its foundation FLUIDOTEHNIC Ltd. has been continuously investing both in the expansion of commercial building and the purchase of modern equipment for the production, control and techno-economic support. It is located in the industrial zone of Vrnjacka Banja, on a lot size ~ 2ha. It consists several buildings, connected into a functional whole area of 4000 m2. The whole complex is adjusted to the environment- we are taking good care of health, work safety and environmental protection.





- Market research, device development, technical assistance and personnel training free of charge for all our customers is the main task of this service. Many years of experience in the development tasks of hydraulics, pneumatics and lubrication techniques, as well as the latest computer technology guarantee that our customers will get the optimum technical solution. During the development, every device passes precisely defined procedure, starting from making the design concept, followed by manufacturing and testing prototypes and going into production.
- It consists of several facilities and departments: foundry of non-ferrous metals, mechanical drive, locksmith department, installation and technical control. All operations from the casting to the final machining are performed with the universal and software machines. Control and assembly is 100%. When the assembly is finished, each device is being tested on the test stand and on the basis of the results it gets the appropriate certificates and guarantees. On each call of the user, service teams come in as soon as possible, with spare parts and the necessary tools, regardless of whether the equipment is in warranty or out of warranty period.



HYDRAULIC CYLINDERS

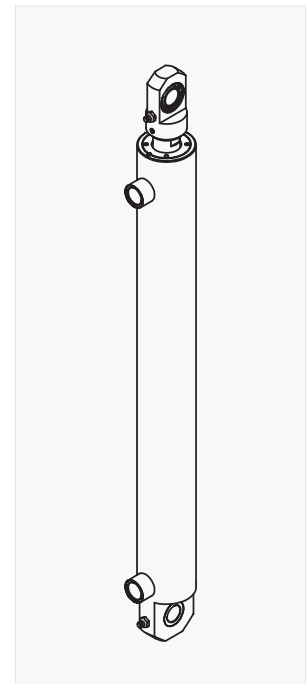
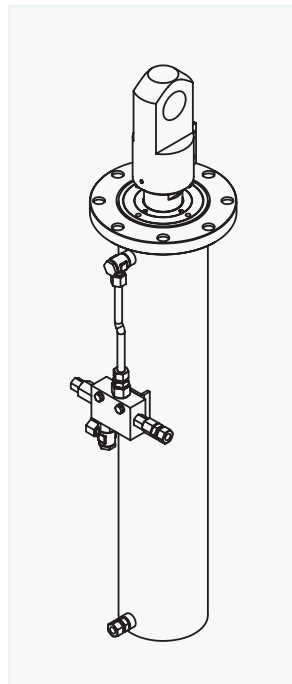
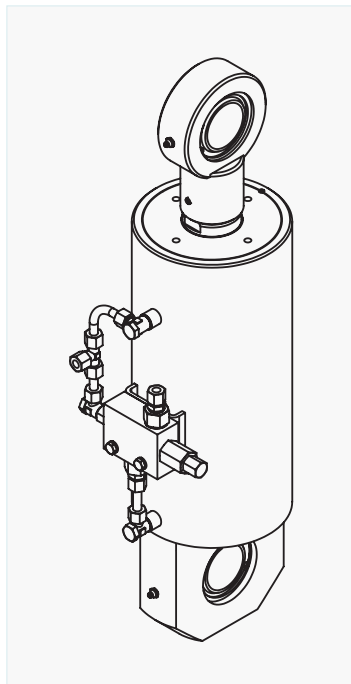
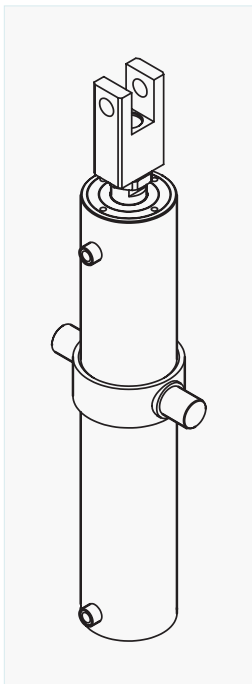


The Fluidotehnic range of hydraulic cylinders meets the most advanced requirements for operation in very hard working conditions such as in surface exploitation plants, mines, iron plants, cokery plants, foundries, cement works and construction machinery. Different construction options are available such as single and double acting cylinders, with or without strokeend cushioning, and plungers.

Hydraulic cylinders by Fluidotehnic are of reliable technical solution, high precisely treatment of the parts, high quality heat treatment and surface processing,

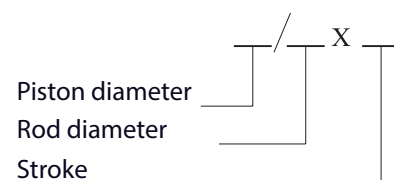
The cylinder rods are made of hardened and tempered carbon steel, one or multi layer chromed, depends of application and customer request.

Proper and high quality seals provide low friction and long time exploitation.



Max working pressure	500 bar
Fluid - mineral oil	10 to 400 mm ² /s
Ambient temperature	-20 to +50 °C
Piston diameter	25 to 250 mm
Stroke	to 2 000 mm
Speed	max 0,5 m/s
Load direction	along cylinder axis
Installation position	any position

ORDERING CODE





SERBIA
36210 VRNJACKA BANJA
Rudjinci 175/A
tel/fax: +381-36-631-710
E-mail: office@fluidotehnic.com
Web: www.fluidotehnic.com

Matični broj: 06568939
Šifra delatnosti: 2822
PIB: 100918689
Reg. broj: 11506568939
Br. Reg. Upisa: 1-14429-00



EC DECLARATION OF CONFORMITY / DECLARATION ON INSTALLATION

DEKLARACIJA O USAGLAŠENOSTI / DEKLARACIJA O UGRADNJI

We hereby declare that the following products

Izjavljujemo da su sledeći uređaji

Hydraulic cylinders (Hidraulički cilindri)
Hand pumps (Ručne pumpe)
Actuators (Aktuatori)
Hydraulic presses (Hidraulične prese)
Change-over valves (Hidraulički razvodnici)
Electric driven change-over valve (Elektromotorni razvodnici)
Pressure and flow valves (Ventili pritiska i protoka)

Are designed and produced in accordance with the safety requirements according to the following regulations:

Projektovani i proizvedeni u skladu sa bezbednosnim zahtevima prema sledećim propisima:

Machinery Directive EC/2006/42
(Mašinska direktiva EC/2006/42)

Low voltage directive EC/2014/35
(Niskonaponska direktiva EC/2014/35)

in accordance with the following standards:
i u skladu sa sledećim standardima:

Safety of machinery - General principles for design

- **Risk assessment and risk reduction EN ISO 12100:2010**
Bezbednost mašina - Opšti principi za projektovanje
- Ocena rizika i smanjenje rizika SRPS ISO 12100:2014

Safety of machinery - Electrical equipment of machines - Part 1: EN 60204-1:2016
Bezbednost mašina - Električna oprema mašina - Deo 1: EN 60204-1:2016

Declaration on installation in the sense of EC Machinery Directive (2006/42/EC) Annex II B

Izjava o ugradnji u skladu sa EC Mašinskom direktivom (2006/42/EC) Anex II B

Product of "FLUIDOTEHNIC" assemble into mechanical devices and equipment. Start-up is not admissible unless it has been verified that the whole equipment, meets the requirements defined in the EC machinery Directive (2006/42/EC)

Proizvod "FLUIDOTEHNIC"-a se ugrađuje u drugu opremu i dodatne uređaje. Pokretanje nije dozvoljeno sve dok i relevantna oprema u koju se ugrađuju ne bude u skladu sa Mašinskom direktivom (2006/42/EC)

The manufacturer undertakes to supply the relevant information of incomplete machine on request to responsible inspector by electronic way. Technical documents of the machine is prepared in accordance with Annex VII, part B Machinery Directive (2006/42/EC)

Proizvođač se obavezuje da će elektronskim putem dostaviti odgovarajuće podatke o delimično završenoj mašini nadležnom inspektoru na njegov zahtev. Tehnička dokumentacija je izrađena u skladu sa Anexom 7, deo B Mašinske direktive.

Vrnjačka Banja, 01/02/2017 godine



Šjivić Miroslav, General Manager

The EC Declaration of Conformity is only valid in conjunction with confirmation that the device has been correctly applied, installed, inspected and maintained according to the operating instructions provided. The validity of the declaration will cease in case of any modification and/or supplement not previously approved by "FLUIDOTEHNIC".

Ova deklaracija o usaglašenosti važi samo u slučaju da je uređaj pravilno ugrađen, iskontrolisan i da se koristi i održava u skladu sa uputstvom za rukovanje i održavanje. Važenje izjave prestaje u slučaju bilo kakve modifikacije ili dodatka koji nisu prethodno odobreni od "FLUIDOTEHNIC"-a.

Fluidotehnic d.o.o.
Serbia
36210 Vrnjacka Banja
Rudjinci 175/A
Tel: +381-(0)36-631-710
+381-(0)36-631-711
Fax: +381-(0)36-631-712
www.fluidotehnic.com
office@fluidotehnic.com